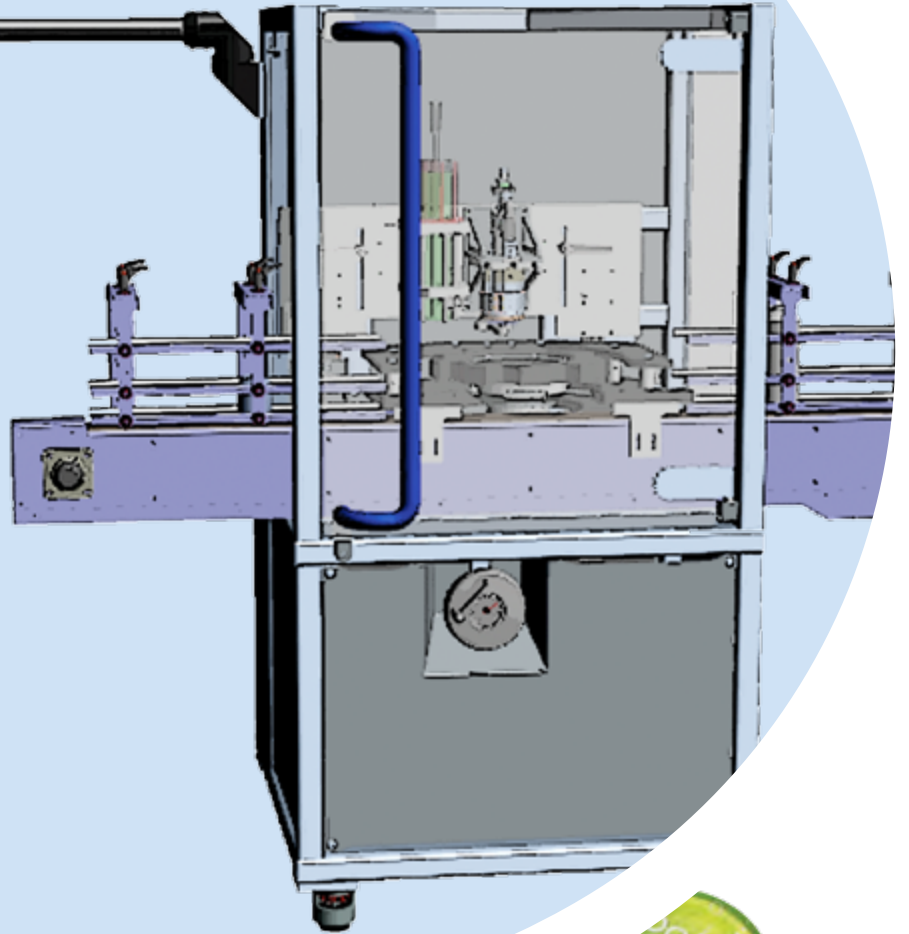
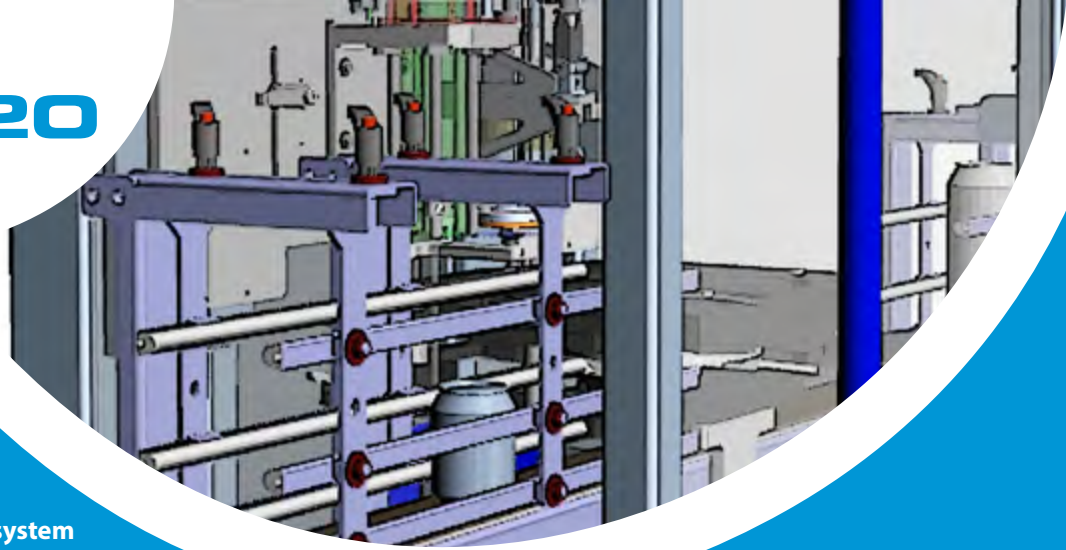


CSS020

Mobile Cap
Sealing Machine



css020



Mobile Cap Sealing Machine

Ecocap's, the unique and patented system to protect and give visibility to your cans.

- Suitable for every type of can
- Compatible with PakTech, Hi-Cone and other packaging solutions
- Uses 100% customizable 100% recyclable caps.

A machine developed for dynamic production lines

- Up to 25 pcs/minute
- Modular

Plug-in Concept

- User friendly
- Can be plugged to domestic power outlet
- User friendly operator console

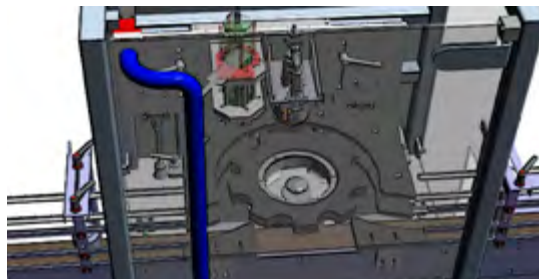
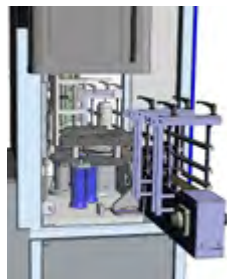
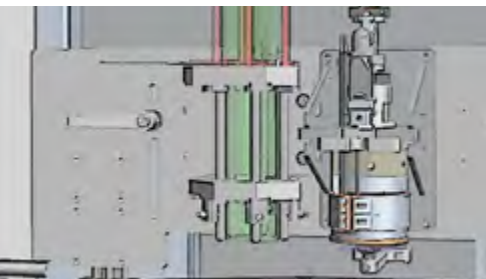
Light and compact

- Weight: less than 600 kg
- Dimensions: (LxWxH) 2.542 x 1.045 x 1.790 mm

A complete solution

- On-site training
- Scheduled maintaining
- Ecocaps's caps supply

Production Speed	1.500 cph
No. of sealing head	1
Max lids capacity	3.250
Installed power	5 KVA
Air Consumption	230 l/min
Net weight	590 kg



**MORE
HYGIENIC**



**NEW
MARKETING
TOOL**



**EXTRA
PROMOTION
SPACE**



**WATER
AND HEAT
RESISTANT**



**100%
RECYCLABLE**



**IDENTIFIES
THE CANS
FROM ABOVE**

ecocap's